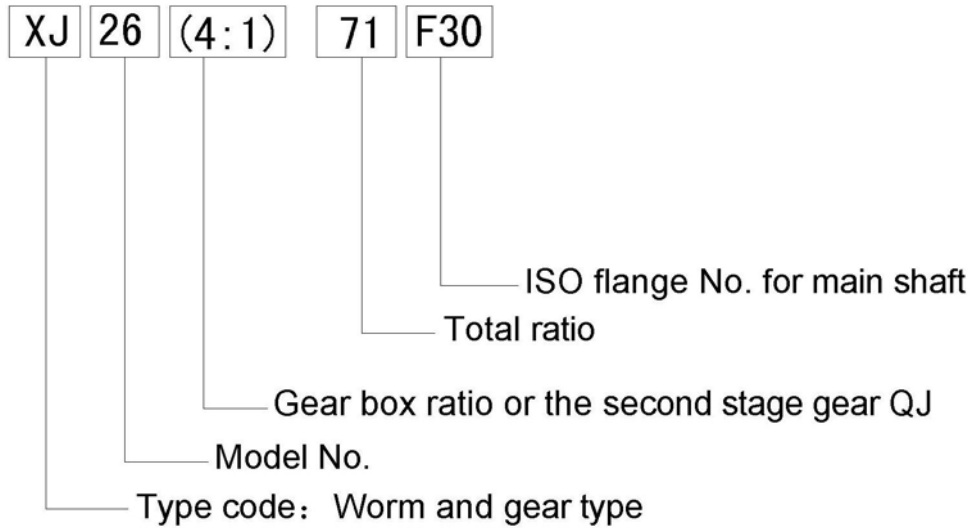
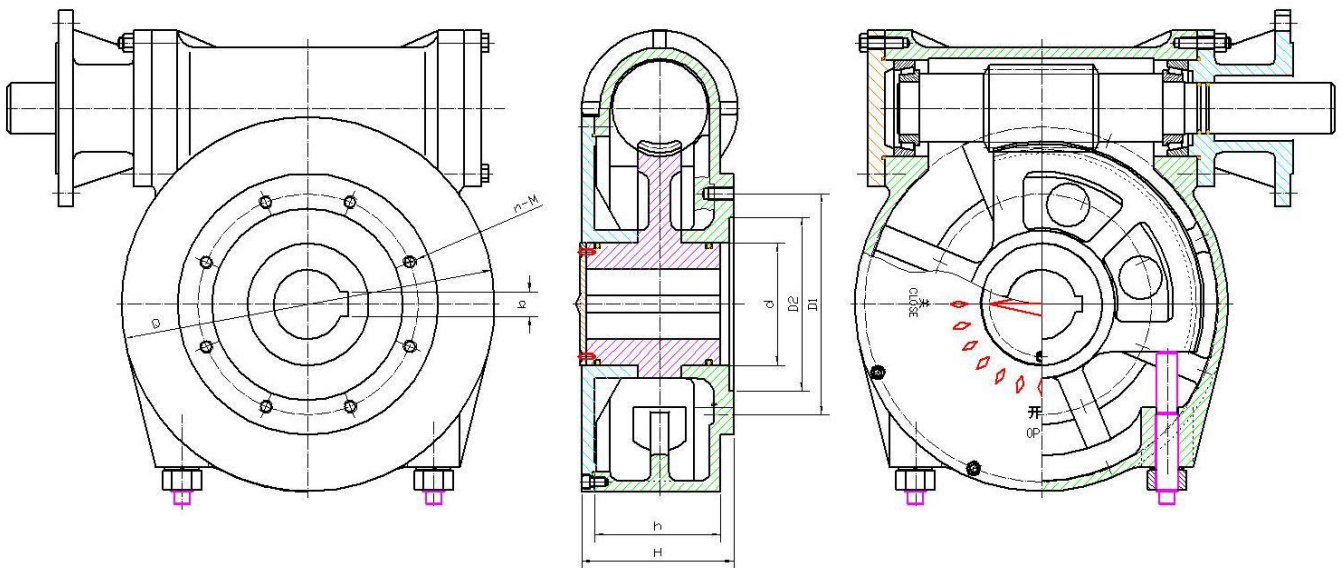


### XJ SERIES GEAR BOX

#### Model Selection



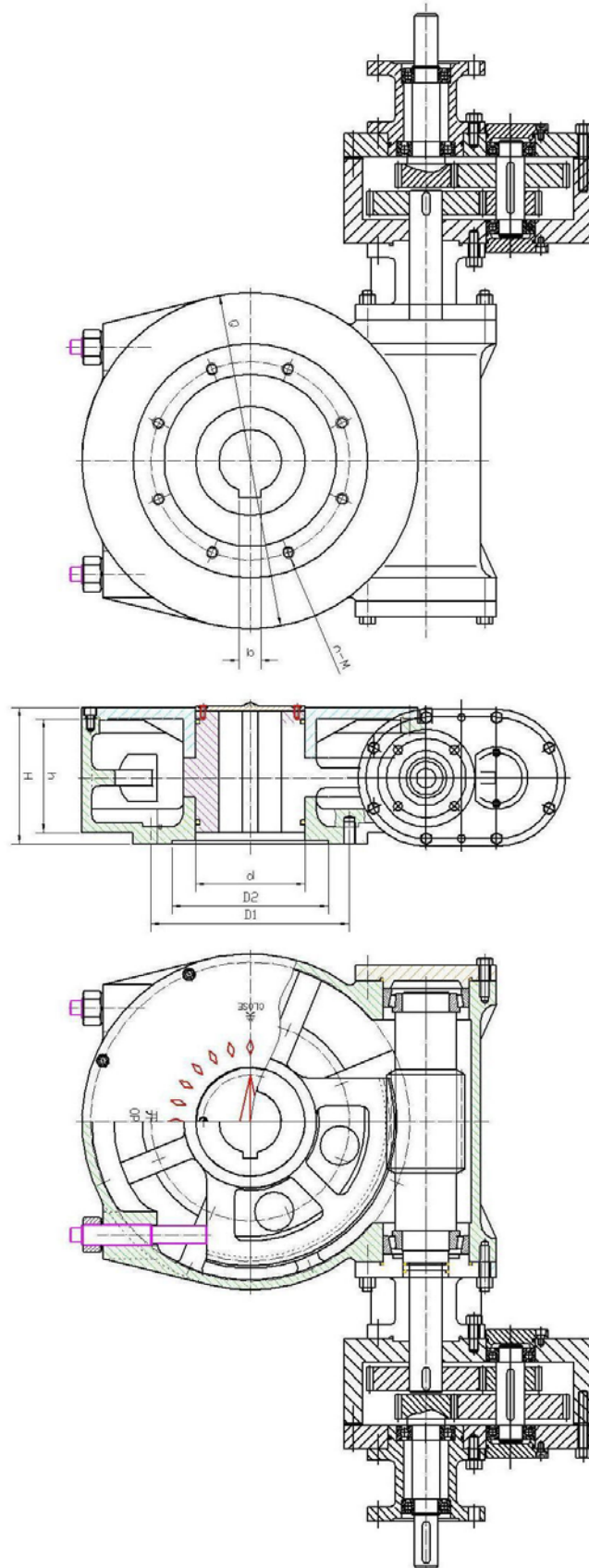
#### ■ XJ Single Stage Gear Box



### Dimension and Technical Parameters

Model	XJ6-39/F10	XJ8-42/F12	XJ12-51/F16	XJ16-53/F25	XJ20-71/F25	XJ26-71/F30	XJ33-71/F35	XJ37-77/F40	XJ45-77/F48
<b>Connection Dimension</b>									
ISO5211 flange type	F10	F12	F16	F25	F25	F30	F35	F40	F48
D	125	150	210	300	300	350	415	475	560
D1	102	125	165	254	254	298	356	460	483
D2	70	85	130	230	200	230	260	300	370
n-M	4-M10	4-M12	4-M20	8-M18	8-M16	8-M20	8-M30	8-M36	12-M36
d	25	35	50	60	70	90	100/120	140/160	200
Key×Key No.×180° (b)	8×1	10×1	16×1	18×1	20×2	25×2	28/32×2	40×2	45×2
h	50	70	90	110	110	160	180	200	220
Φ	250	250	350	400	400	500	500	600	600
<b>Technical Parameters</b>									
Ratio	39:1	42:1	51:1	53:1	71:1	71:1	71:1	77:1	77:1
Rotate travel	90°	90°	90°	90°	90°	90°	90°	90°	90°
Limited adjust	±5°	±5°	±5°	±5°	±5°	±5°	±5°	±5°	±5°
<b>Dimension</b>									
Q	154	190	280	345	425	510	666	720	880
Weight (kg)	14	33	55	82	120	251	410	630	950

■ XJ Two Stages Gear Box



### Dimension and Technical Parameters

Model	XJ6(2:1)-78/F10	XJ8(2:1)-84/F12	XJ12(2:1)-102/F16	XJ16(3:1)-159/F25	XJ20(4:1)-284/F25	XJ26(4:1)-284/F30	XJ33(4:1)-284/F35	XJ37(4:1)-308/F40	XJ45(6:1)-462/F48
<b>Connection Dimension</b>									
ISO5211 flange type	F10	F12	F16	F25	F25	F30	F35	F40	F48
D	125	150	210	300	300	350	415	475	560
D1	102	125	165	254	254	298	356	460	483
D2	70	85	130	230	200	230	260	300	370
n-M	4-M10	4-M12	4-M20	8-M18	8-M16	8-M20	8-M30	8-M36	12-M36
d	25	35	50	60	70	90	100/120	140/160	200
Key×Key No.×180° (b)	8×1	10×1	16×1	18×1	20×2	25×2	28/32×2	40×2	45×2
h	50	70	90	110	110	160	180	200	220
φ	250	250	350	400	400	500	500	600	600
<b>Technical Parameters</b>									
Ratio	39:1	42:1	51:1	53:1	71:1	71:1	71:1	77:1	77:1
Spur gear ratio	2:1	2:1	2:1	3:1~2:1	4:1~2:1	4:1~2:1	6:1~3:1	4:1~9:1	9:1~4:1
Rotate travel	90°	90°	90°	90°	90°	90°	90°	90°	90°
Limited adjust	±5°	±5°	±5°	±5°	±5°	±5°	±5°	±5°	±5°
<b>Dimension</b>									
Q	154	190	280	345	425	510	666	720	880
Weight (kg)				135	190	385	540	820	1110